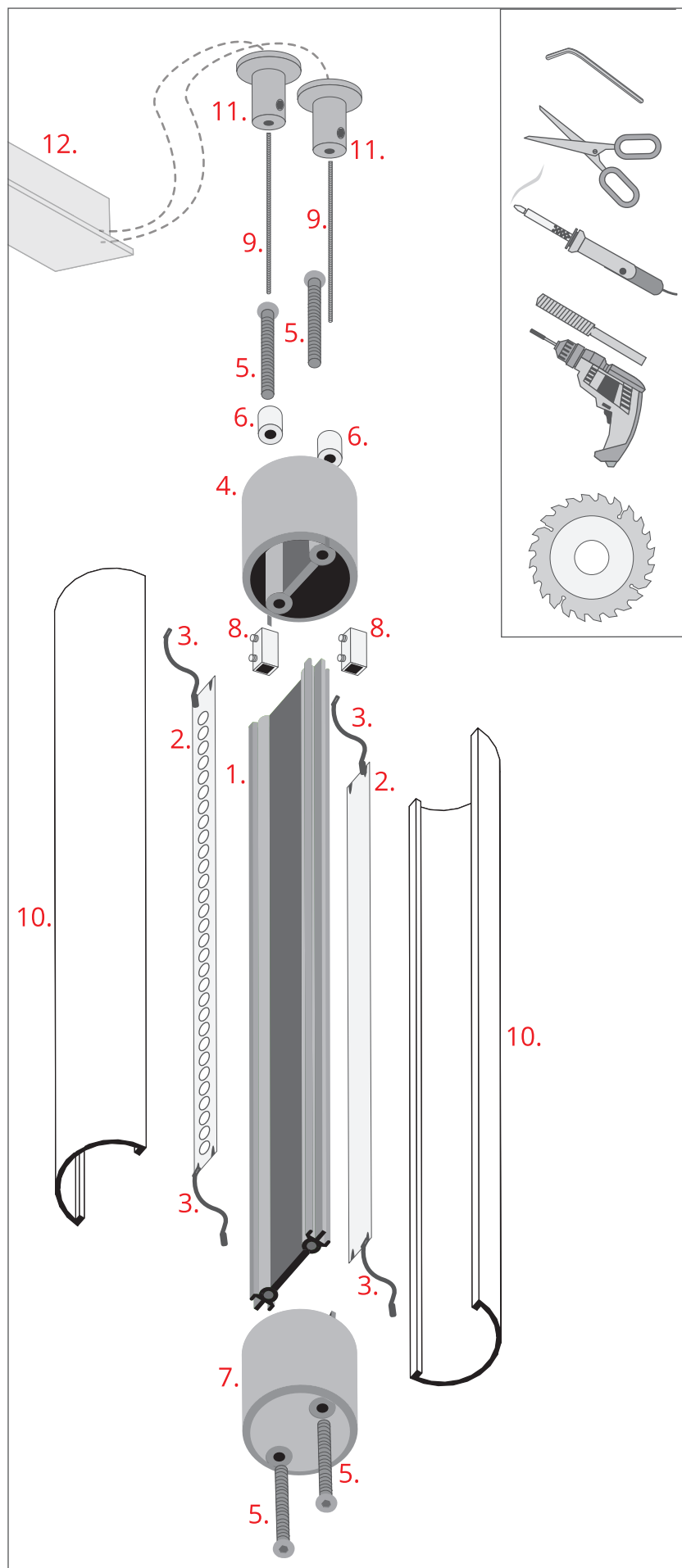


## JAZ-DUO - mounting instructions

### a) Vertical mounting on wires

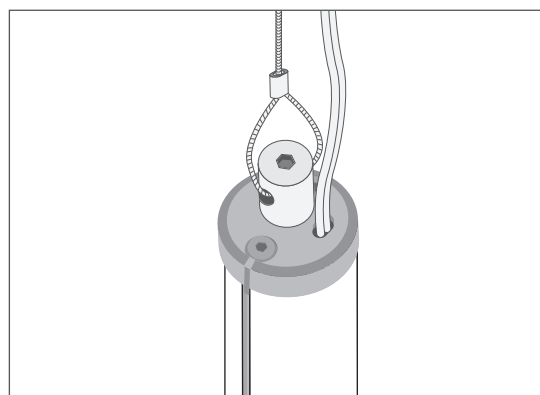


1. JAZ-DUO extrusion (Ref. C0788)
2. LED strip\*
3. Power cable
4. Conductive end cap for JAZ-DUO\*
5. End cap bolt
6. Wire lock nut
7. End cap for JAZ-DUO\*
8. Power connector for the steel wire
9. Wire\*
10. Cover\*
11. Conductive fastener\*
12. Power supply 12 V or 24 V\*

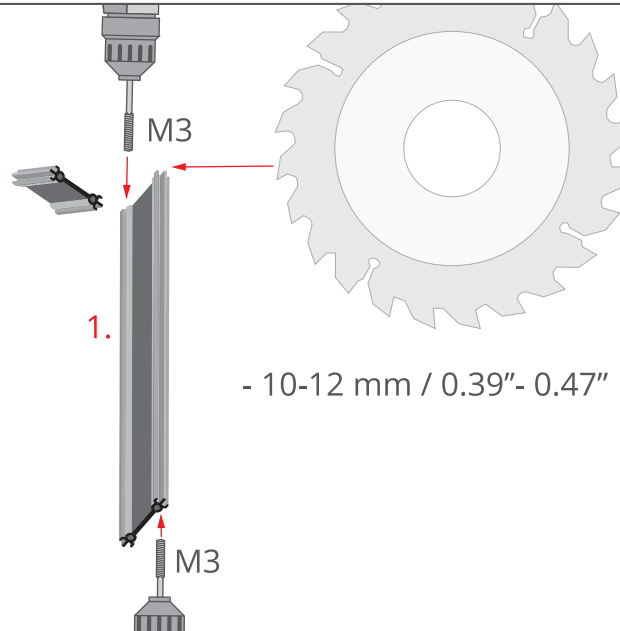
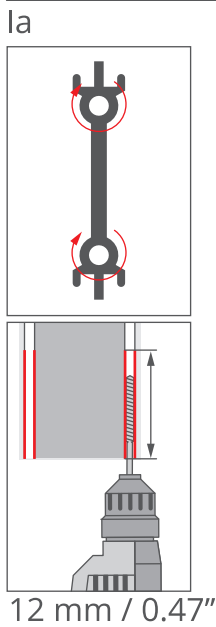
\*The full range of accessories and electronics is available at [www.KlusDesign.eu](http://www.KlusDesign.eu)

**NOTE!** All LED strips must be connected to a 12 V or 24 V power supply.

**IMPORTANT:** Not all possible mounting procedures are presented here. More mounting procedures and related accessories can be found at [www.KlusDesign.eu](http://www.KlusDesign.eu). Drawings of profiles and accessories in these instructions are simplified and only approximate the actual shapes.

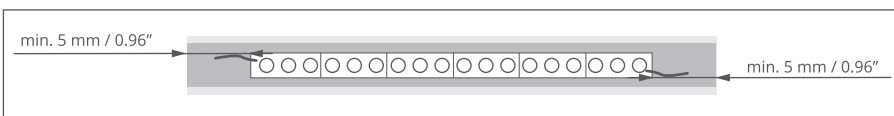
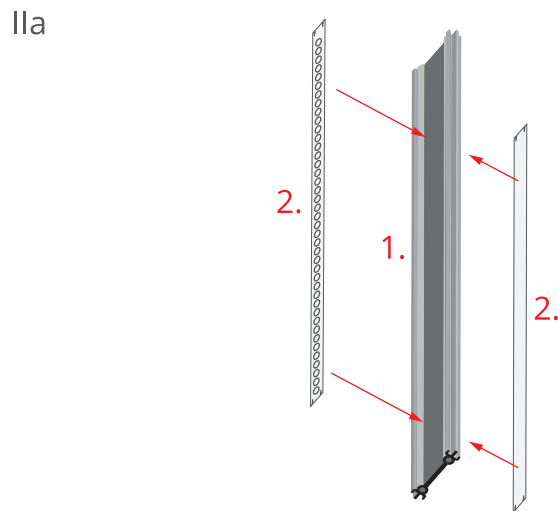


For lighting fixtures with increased power consumption and long suspension, it is recommended to use a conductive end cap with a hole through which a cable with a suitable cross-section can be run. For more information, contact the KLUŠ sales department.



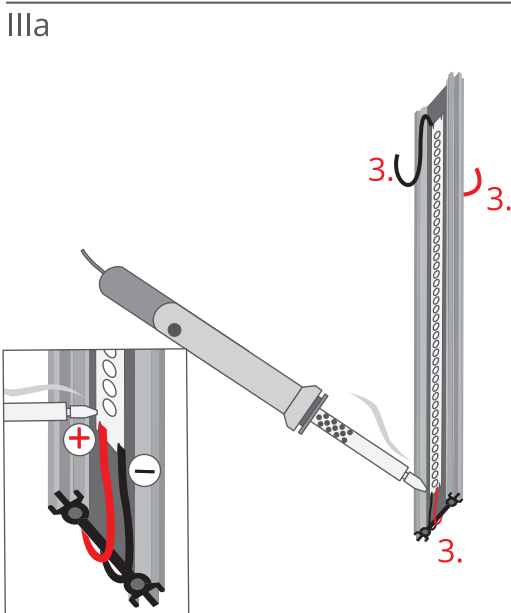
Shorten the JAZ-DUO extrusion (1) relative to the cover by 10-12 mm / 0.39" - 0.47".

Thread the channels in the extrusion to a depth of 12 mm / 0.47" with an M3 threading tool.



Adhere the LED strip (2) in the JAZ-DUO extrusion (1).

The LED strip must be shorter than the extrusion by min. 5 mm / 0.19" on each side.



Solder the power cables (3) and create a serial connection between the two strips at the bottom end of the extrusion.

**IVa**

Attach the conductive end cap (4) at the top of the extrusion and the weighted end cap at the bottom (7). Secure the two end caps with the bolts (5).

**Va**

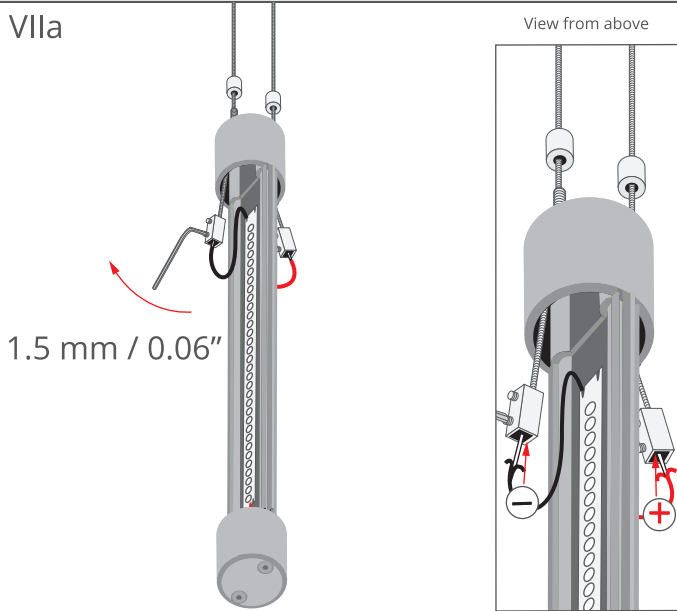
Cut the ends of the steel wires (9) at an angle.

Unscrew the nuts (6) in the conductive end cap and then pull the steel wires through them. Next, run the wires through the locks in the end cap, pressing them against the body. Pull out the ends of the wires from inside the end cap and remove the insulation.

**VIa**

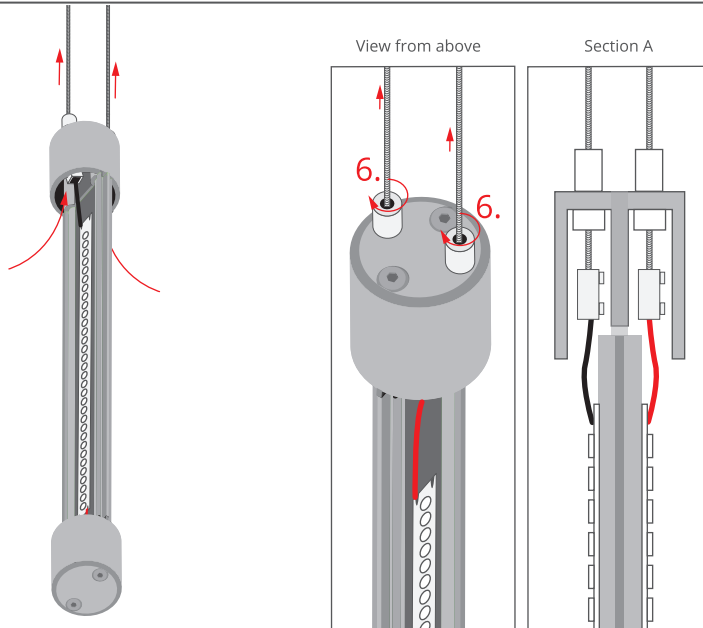
Mount the power connectors (8) and tighten them with an Allen wrench (1.5 mm / 0.06").

VIIa



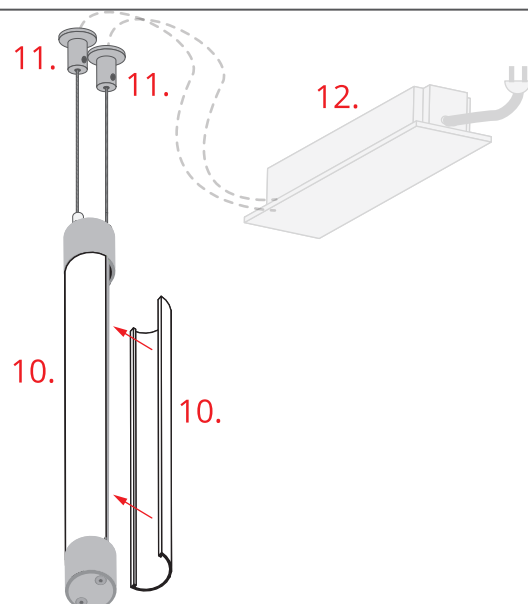
Remove the insulation from the ends of the power cables and insert them into the power connectors (for this purpose you will need to loosen the connectors). Finally, tighten the both sides with an Allen wrench (1.5 mm / 0.06").

VIIIa



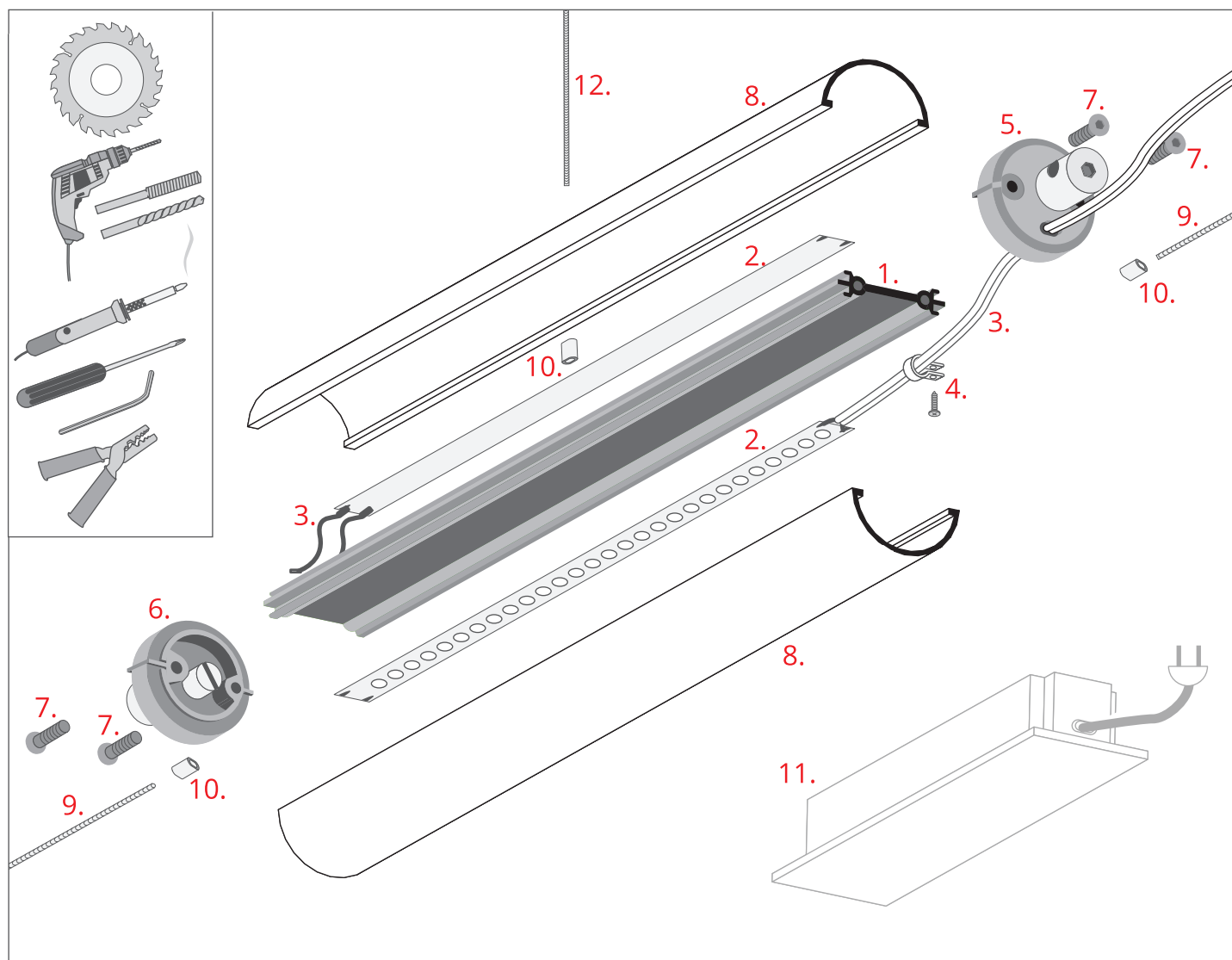
Pull the wires so that the connectors are inside the end caps. Lower and tighten the nuts (6). (See section A)

IXa



Attach the covers (10) and suspend the lighting fixture using the ceiling fasteners (11). The lighting fixture is connected to the power supply 12 V or 24 V (12).

\*For more information on ceiling fasteners, please visit [www.KlusDesign.eu](http://www.KlusDesign.eu)

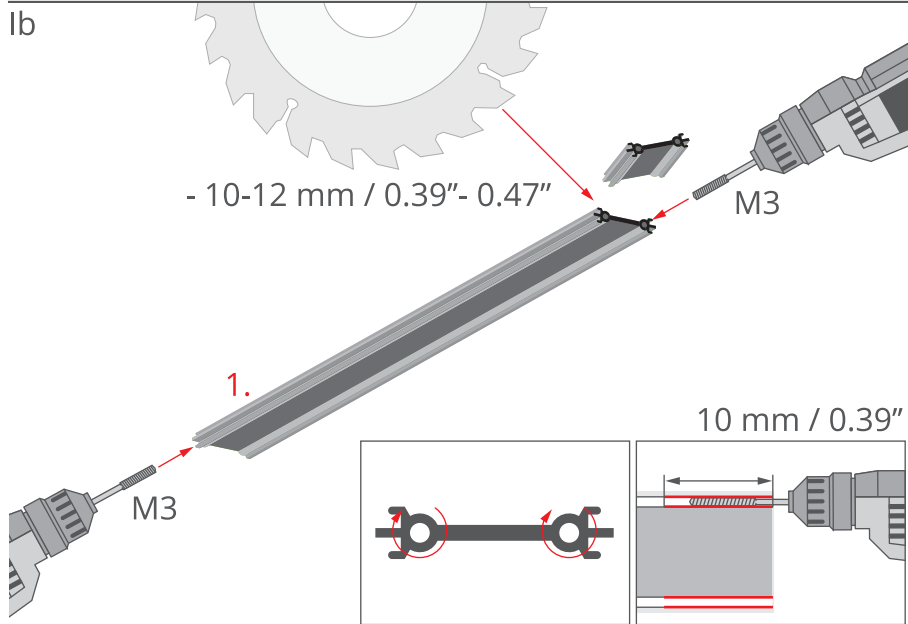


1. JAZ-DUO extrusion (Ref. C0788)
2. LED strip\*
3. Power cable
4. Wire mount self-tapping screw
5. End cap with a hole for JAZ-DUO\*
6. End cap for JAZ-DUO\*
7. End cap bolt
8. Cover\*
9. Wire\*
10. Wire clamp\*
11. Power supply 12 V or 24 V\*
12. Tension wire\*

\*The full range of accessories and electronics is available at [www.KlusDesign.eu](http://www.KlusDesign.eu)

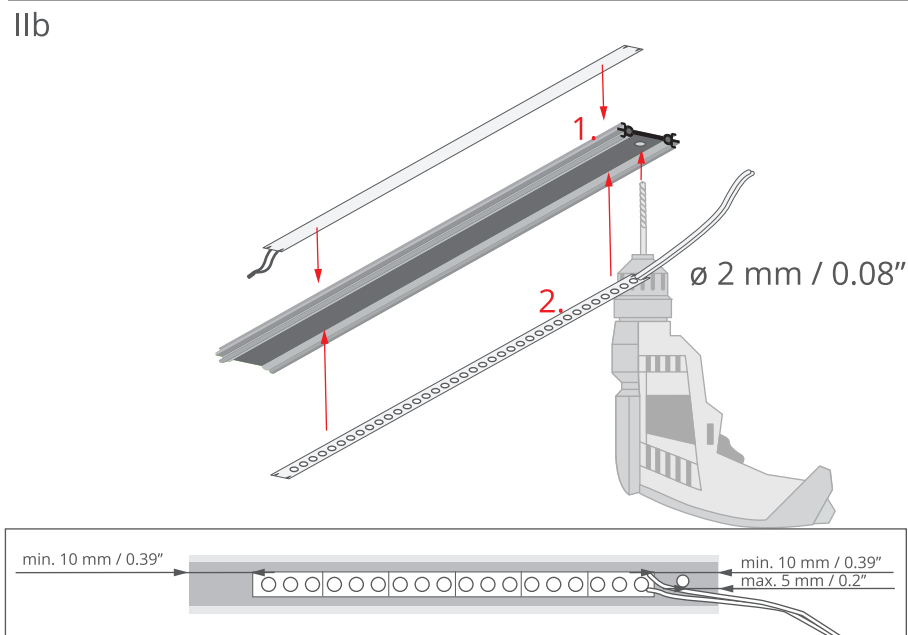
**NOTE!** All LED strips must be connected to a 12 V or 24 V power supply.

**IMPORTANT:** The instruction does not show all mounting options. Additional accessories related to the product along with mounting instructions are available at [www.KlusDesign.eu](http://www.KlusDesign.eu). Drawings of profiles and accessories in these instructions are simplified and only approximate the actual shapes.



Shorten the JAZ-DUO extrusion (1) relative to the cover by 10-12 mm / 0.39" - 0.47".

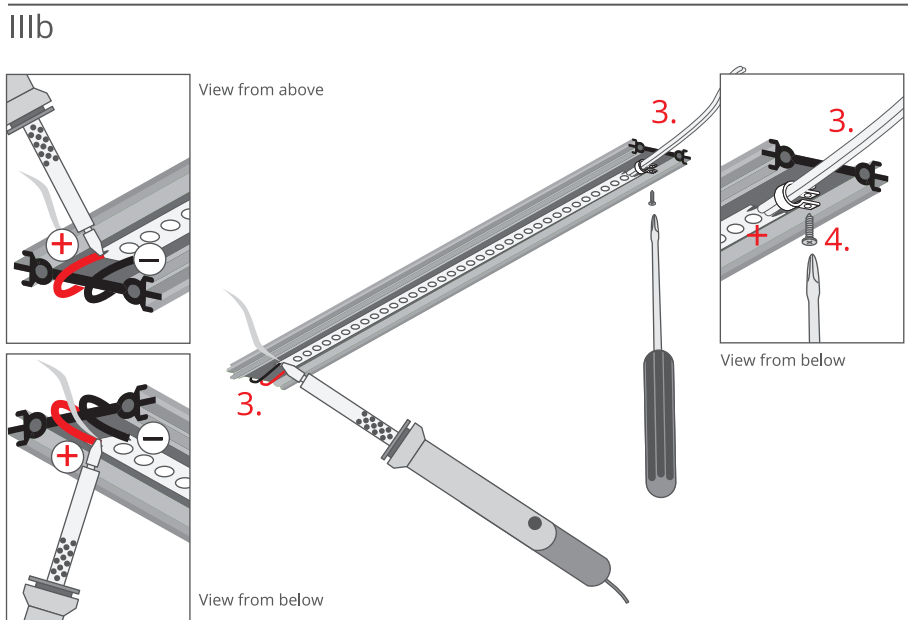
Thread the channels in the extrusion to a depth of 10 mm / 0.39" with an M3 threading tool.



Drill a 2mm / 0.08" hole at the edge of the extrusion (the optimal distance from the edge is 5 mm / 0.2")

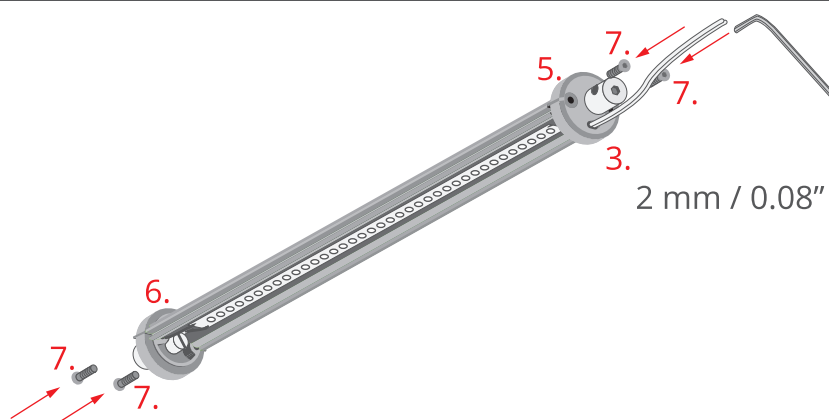
Adhere the LED strip (2) in the JAZ-DUO extrusion (1).

Leave min. 10 mm / 0.39" between the ends of the strip and the ends of the extrusion.



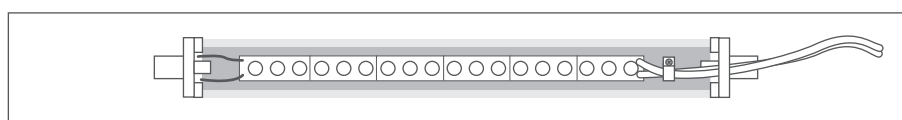
Create a serial connection between the two strips (3) at an end of the extrusion. At the other end run the cables (3) through the wire mount (4) and secure it with the self-tapping screw in the previously drilled hole.

IVb

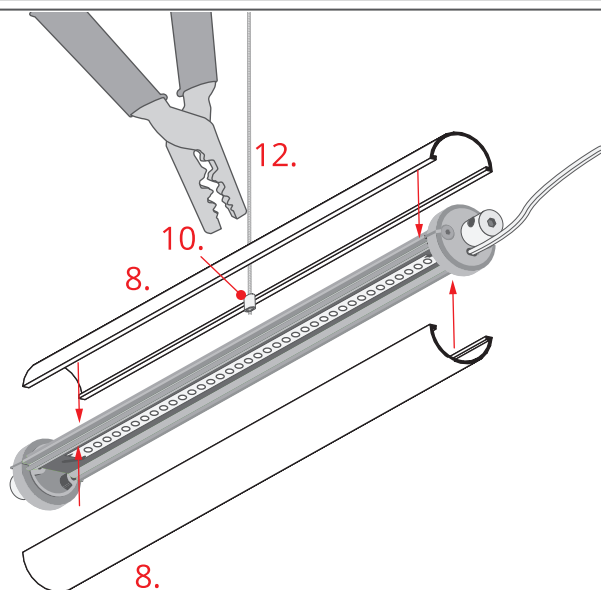


Insert the end caps (5, 6) into the JAZ-DUO extrusion and secure them with the bolts (7) using an Allen wrench (2mm / 0.08")

Run the power cables (3) through the hole in the end cap.



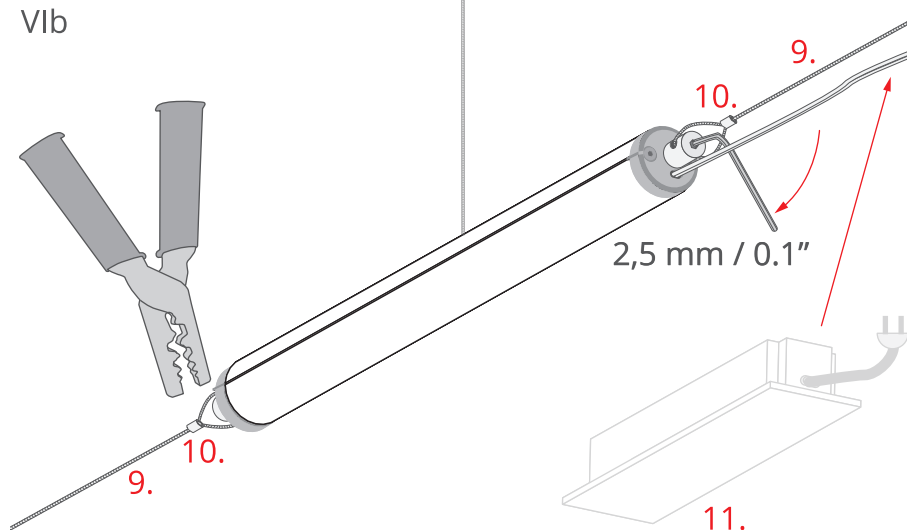
Vb



Attach the covers (8).

For lighting fixtures longer than 1 m, an additional tension wire (12) is recommended. The wire must be pulled through the previously made hole in the cover and blocked with the wire clamp (10) from the inside.

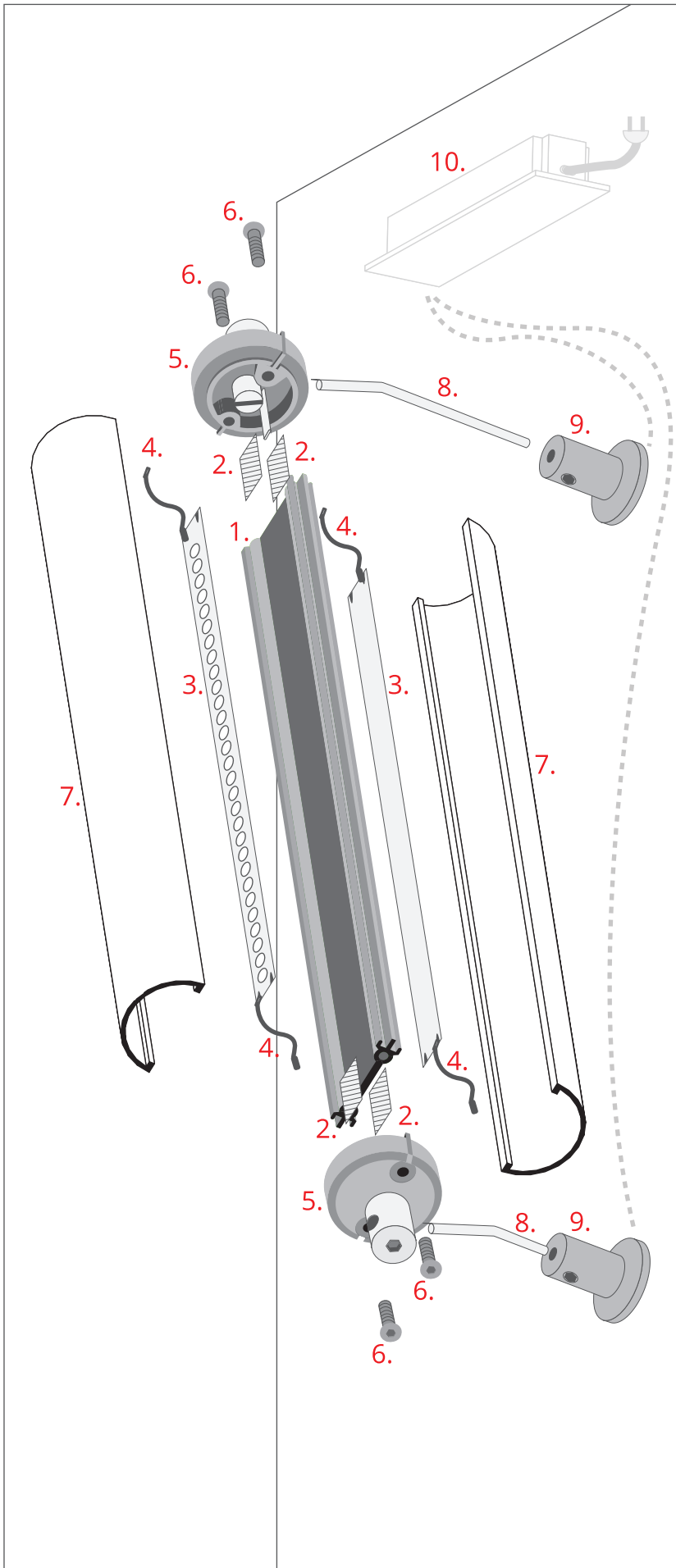
VIb



Suspend the lighting fixture on the wires (9) by pulling them through the hooks in the end caps and securing the loops with wire clamps (10). Tighten the wire in the hook with an Allen wrench (2.5 mm / 0.1")

The tension force for lighting fixtures suspended on horizontal steel wires is approx. 200 N

Connect the cables to the power supply 12 V or 24 V (11).



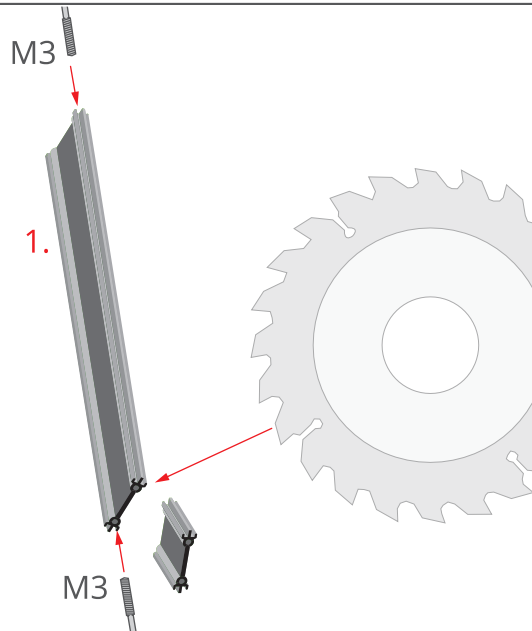
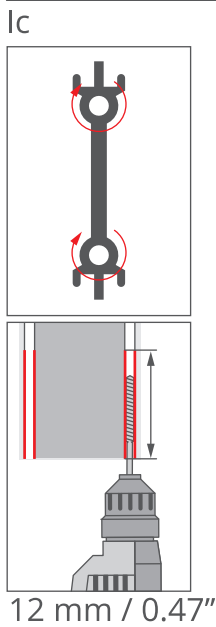
1. JAZ-DUO extrusion (Ref. C0788)
2. Insulation
3. LED strip\*
4. Power cable
5. Conductive end cap for JAZ-DUO\*
6. End cap bolt
7. Cover\*
8. Conductive rod\*
9. Conductive fastener\*
10. Power supply 12 V or 24 V\*

\*The full range of accessories and electronics is available at [www.KlusDesign.eu](http://www.KlusDesign.eu)

**NOTE!** All LED strips must be connected to a 12 V or 24 V power supply.

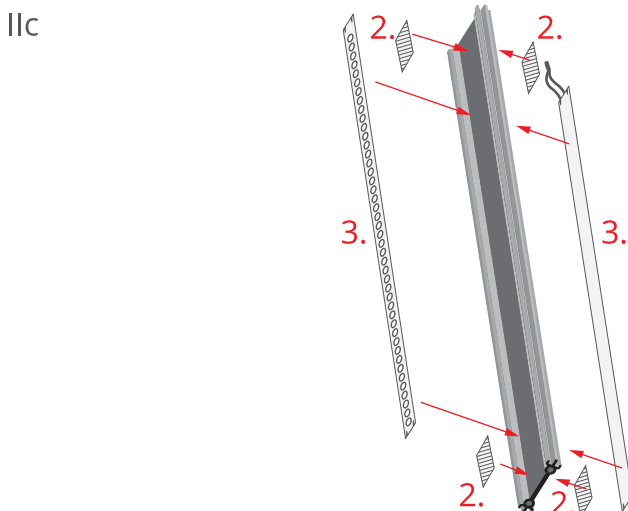
**IMPORTANT:** Not all possible mounting procedures are presented here. More mounting procedures and related accessories can be found at [www.KlusDesign.eu](http://www.KlusDesign.eu) Drawings of profiles and accessories in these instructions are simplified and only approximate the actual shapes.





Shorten the JAZ-DUO extrusion (1) by 10-12 mm / 0.39" - 0.47".

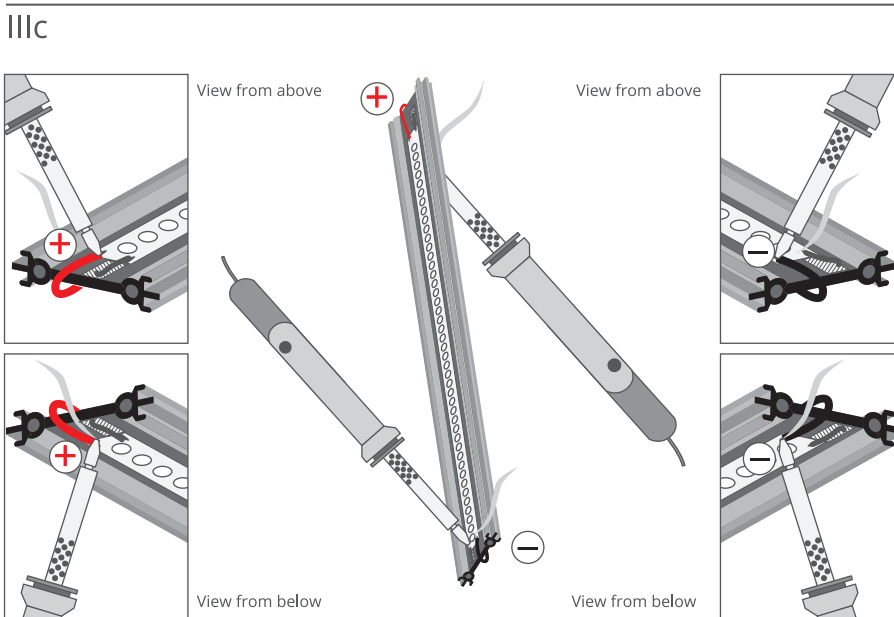
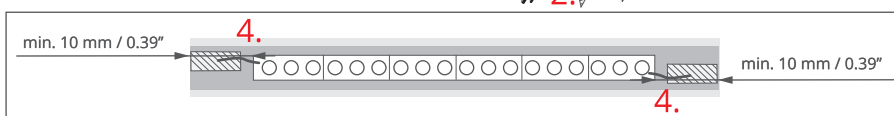
Thread the channels in the extrusion to a depth of 12 mm / 0.47" with an M3 threading tool.



Adhere the LED strip (3) and the insulation (2) in the JAZ-DUO extrusion (1).

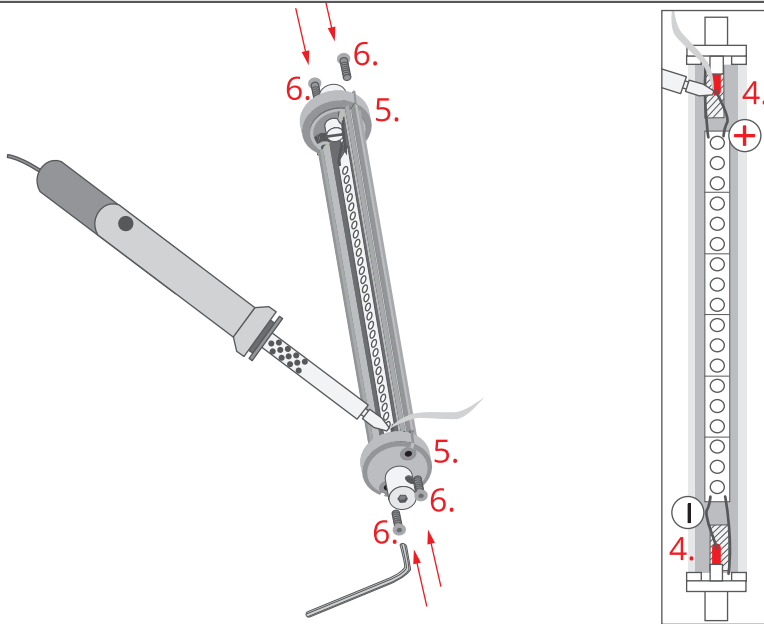
Place the insulation under the ends of the power cables of the LED strip (4).

Leave min. 10 mm / 0.39" space between the ends of the strip and the ends of the extrusion.



Connect both LED strips with the cables by soldering each cable to its corresponding pole on the two ends of the strip.

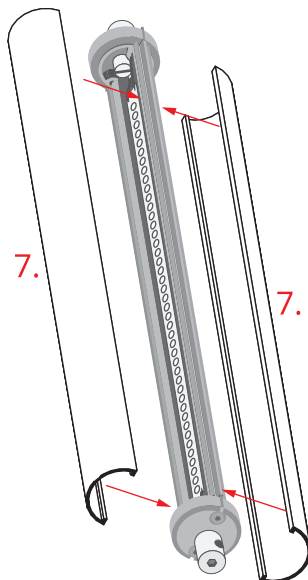
IVa



Insert the end caps (5) into the JAZ-DUO extrusion and secure them with the bolts (6) using an Allen wrench.

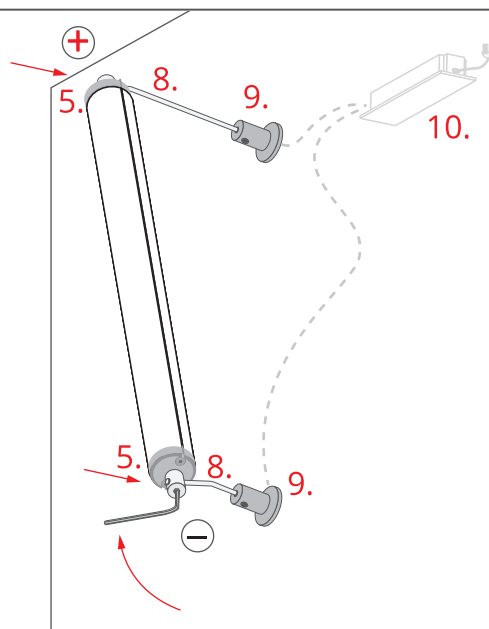
Solder the power cables (4) to the plates on the end caps. The plates must be above the insulation.

Vc



Mount the covers (7).

VIc



Put the cover on the conductive rods (8) so that their ends are in the side holes of the conductive end caps (5). Fasten the end caps to the rods by tightening their sockets with the Allen wrench.

Mount the lighting fixture in the conductive fasteners (9), which connect it to the 12 V or 24 V power supply (10) (For more information on wall fasteners, please visit [www.KlusDesign.eu](http://www.KlusDesign.eu)).